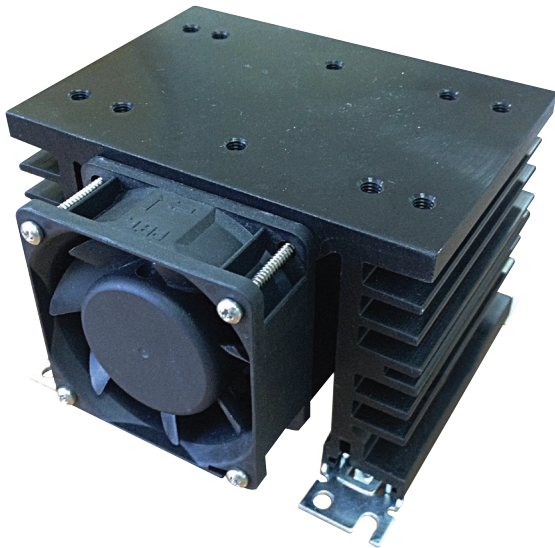


RHS112AF



Accessories: Heatsinks



Main features

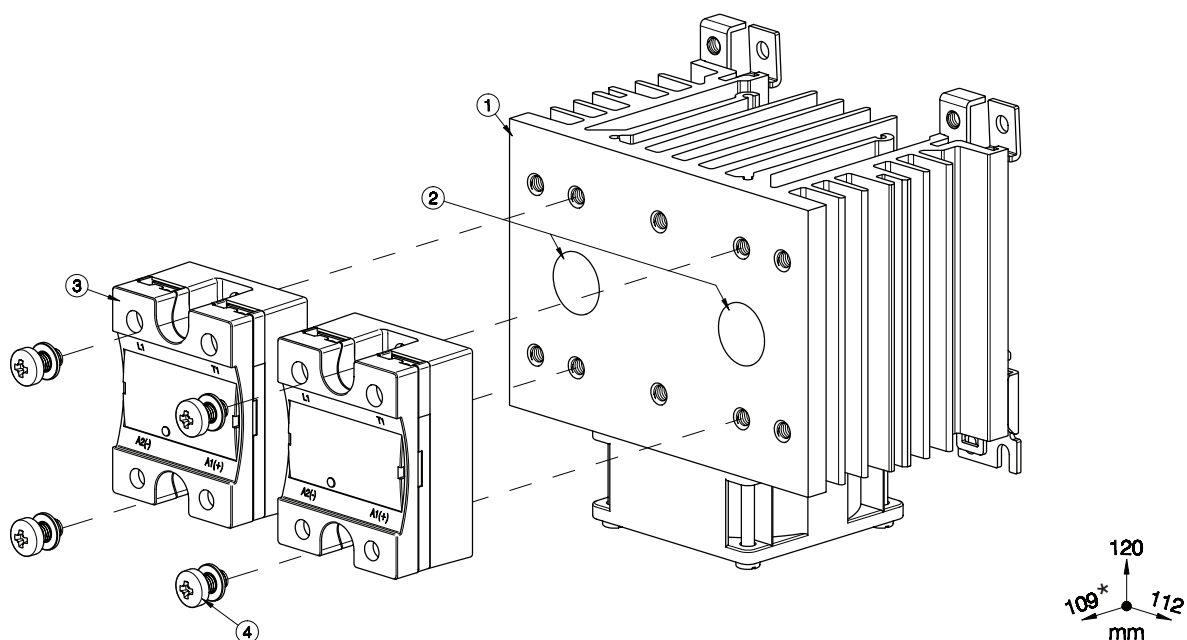
- 0.35°C/W thermal resistance
- Suitable for mounting of 1-phase SSRs or 3-phase SSRs
- Integrated fan (24VDC or 240VAC)
- DIN rail mounting
- Suitable for panel mounting
- Dimensions W x H x D: 112 x 120 x 80 mm
- RoHS compliant

Description

Heatsink assembly, including fan, suitable for mounting of maximum 2x 1- phase solid state relay (SSR) or 1x 3-phase SSR. Suffix H18 or H52 (for 24VDC or 240VAC fans respectively) added to SSR part no. refers to factory mounted heatsink. Conditions apply. Please ask your sales representative for further details.

Structure

1-phase SSR



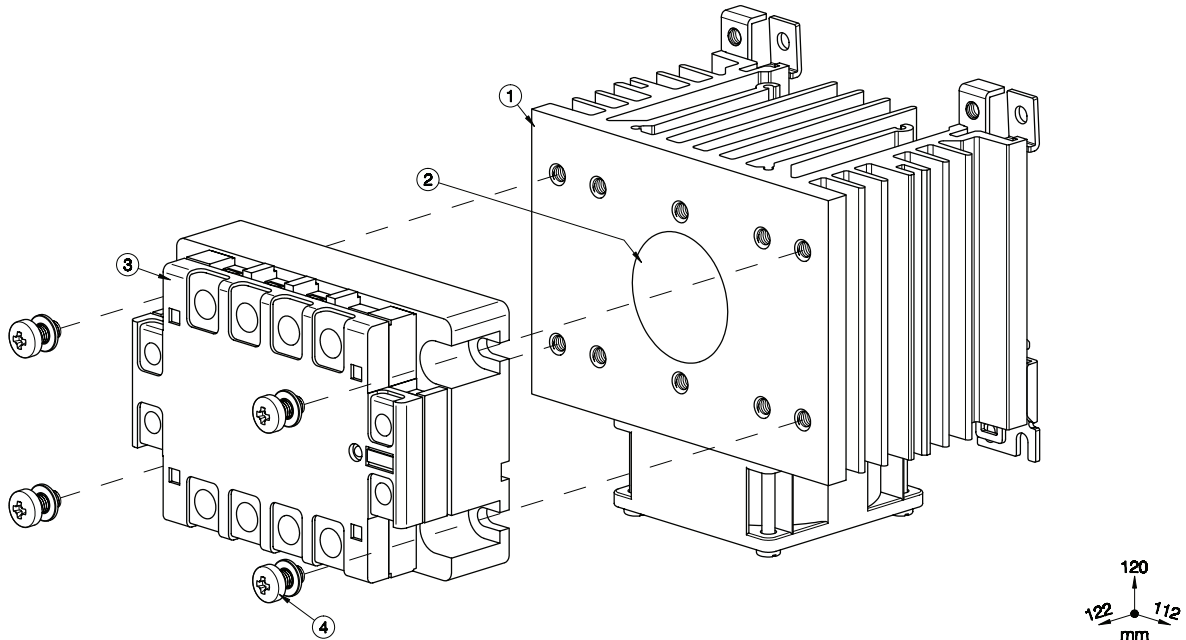
Element	Component	Qty	RHS112AF
1	RHS112AF heatsink assembly	1	Provided
2	Thermal Compound HTS02S	1	Provided
3	1-phase SSR 45x59mm (max.)	2	Not provided
4	M5x10mm PZ2 + Washer (per SSR)	2	Provided (x4)

Note:

* 113mm for RK..C, 124mm for RK..P (including plug).

Dimensions including the SSR.

When only 1 SSR is utilized it shall be mounted at the centre of the heatsink.


3-phase SSR


Element	Component	Qty	RHS112AF
1	RHS112AF heatsink assembly	1	Provided
2	Thermal Compound HTS02S	1	Provided
3	3-phase SSR 104x74mm	1	Not provided
4	M5x10mm PZ2 + Washer (per SSR)	4	Provided (x4)

Dimensions including the SSR.

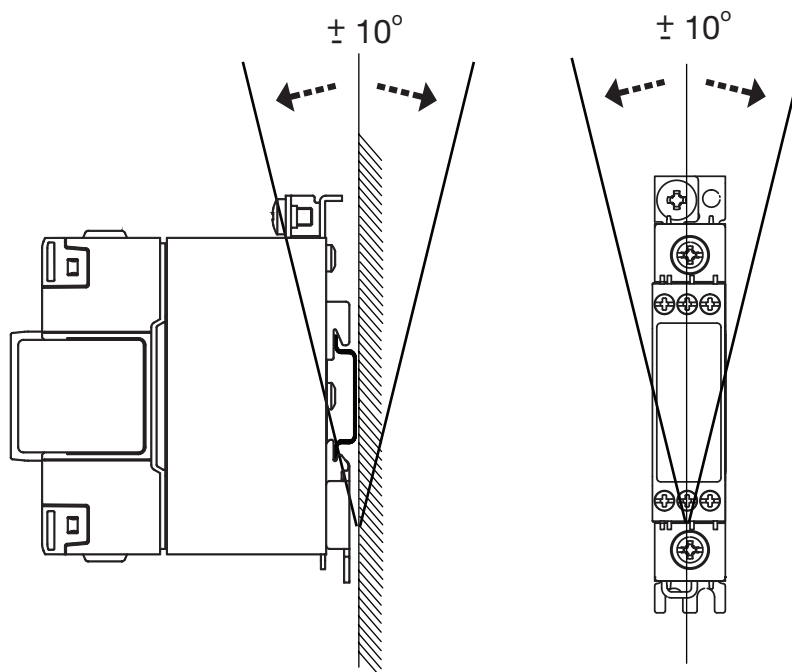


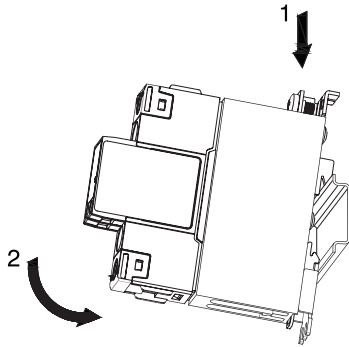
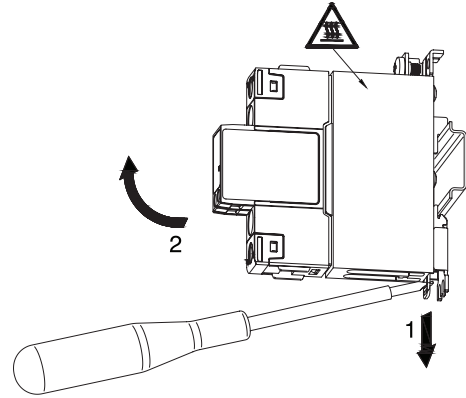
Features

General

SSR max. mounting torque	1.5Nm (13.3 lb-in)
Weight (excl. SSR)	approx. 1020g
Material	Aluminium
Finish	Black anodization
Fan mounting	Integrated
Fan supply voltage: RHS112AF60-24 RHS112AF60-230	24VDC 220 - 240VAC, 50/60Hz
Power consumption: RHS112AF60-24 RHS112AF60-230	1.8 Watts 4.1/4.4 Watts
Current consumption: RHS112AF60-24 RHS112AF60-230	75 mA 198 mA

Mounting position



Installation**Fig. 1** *Mounting on DIN rail***Fig. 2** *Dismounting from DIN rail*

Illustrations are for example only.



Recommended maximum current rating (per SSR)

1. The below recommendations are only valid when the assembly (SSR + heatsink) is mounted as shown in the mounting instructions unless otherwise indicated.
2. The indicated ratings are applicable to one SSR, one pole. Please refer to the online selector tool at www.productselection.net for different load currents, surrounding temperatures or multiple units on one heatsink.
3. These recommendations are applicable only with the indicated Carlo Gavazzi thermal interface material between SSR and heatsink. In case a different thermal interface is utilised these recommendations may no longer be valid.

Pre-attached phase change paste

1x 2-pole SSR	Surrounding temperature							
	°C °F	20 68	30 86	40 104	50 122	60 140	70 158	80 176
RK 2.. (per pole)	50	50	50	50	50	46	39	31.5
	51	50	50	50	50	50	44	35.5
	75	75	75	75	70	61	51.5	41.5

Thermal compound, HTS02S


1x 3-phase SSR	Surrounding temperature							
	°C °F	20 68	30 86	40 104	50 122	60 140	70 158	
RZ3A..	25	25	25	25	25	22.5	18.5	
	55	49	47	42.5	38	33.5	28.5	
	75	66	63	57.5	52	46	36	

Thermal pad, RZHT

1x 3-phase SSR	Surrounding temperature							
	°C °F	20 68	30 86	40 104	50 122	60 140	70 158	
RZ3A..	25	25	25	25	23	19	15.5	
	55	41.5	39.5	35.5	32	28	24	
	75	59	56.5	51.5	46.5	41	35.5	

 Thermal compound, HTS02S

1x 1-phase SSR	Surrounding temperature						
	°C °F	20 68	30 86	40 104	50 122	60 140	70 158
RD..	1	1	1	1	1	1	1
	5	5	5	5	5	5	5
RA..L RA..T	10	10	10	10	10	10	10
	25	25	25	25	25	22.5	19
RA..	25	25	25	25	25	25	20
	50	50	50	50	44.5	37.5	29.5
	90	90	85.5	76	66	55	43.5
	110	106.5	100.5	88.5	76.5	63.5	50
RA60..	50	50	50	50	44	37	29.5
RA2A.. (per pole)	25	25	25	25	25	25	25
	40	40	40	40	38.5	33.5	29
	25M	25	25	25	25	25	25
	40M	40	40	40	39.5	34.5	29.5
RS1A..	10	10	10	10	10	9.5	7.5
	25	25	25	25	25	25	25
	40	40	40	40	40	40	40
RS1A..E	25	25	25	25	22	18.5	15.5
	40	37.5	35.5	31.5	27.5	23.5	19.5
RM1A.. RM1B.. RM1C..	25	25	25	25	25	25	25
	50	50	50	50	50	50	46
	75	75	75	75	75	74	60.5
	100	100	100	100	99.5	87	66.5
RM1A60.. RM1B60.. RM1C60.. RM1E60..	50	50	50	50	50	45.5	39
RAM1A.. RAM1B.. RM1E..	25	25	25	25	25	25	25
	50	50	50	50	50	50	46
	75	75	75	75	75	74	60.5
	100	100	100	94	84	74	60.5
	125	125	123	111.5	99.5	87	66.5

 Thermal pad, KK071CUT

1x 1-phase SSR	Surrounding temperature						
	°C °F	20 68	30 86	40 104	50 122	60 140	70 158
RD..	1	1	1	1	1	1	1
	5	5	5	5	5	5	5
RA..L RA..T	10	10	10	10	10	10	10
	25	25	25	25	22.5	19.5	16
RA..	25	25	25	25	25	22.5	17.5
	50	50	49.5	43.5	37.5	31	24.5
	90	69	65	57.5	49.5	41	32.5
	110	78.5	74.5	65	56	46	36
RA60..	50	50	48.5	43	37	31	25
RA2A.. (per pole)	25	25	25	25	25	25	22
	40	40	40	37	33	29	24.5
	25M	25	25	25	25	25	22
	40M	40	40	37.5	33.5	29.5	25
RS1A..	10	10	10	10	10	9	6.5
	25	25	25	25	25	25	25
	40	40	40	40	40	40	31.5
RS1A..E	25	25	24.5	21.5	19	16	13.5
	40	31	29.5	26	23	19.5	16
RM1A.. RM1B.. RM1C..	25	25	25	25	25	25	25
	50	50	50	50	49.5	42	31.5
	75	75	75	70.5	60	48.5	36
	100	94	90	78.5	66	53	39
RM1A60.. RM1B60.. RM1C60.. RM1E60..	50	50	50	49	44	38.5	32
RAM1A.. RAM1B.. RM1E..	25	25	25	25	25	25	25
	50	50	50	50	49.5	42	31.5
	75	75	75	70.5	60	48.5	36
	100	81.5	78	70.5	60	48.5	36
	125	94	90	78.5	66	53	39



References

CARLO GAVAZZI compatible components

Purpose	Component name/code	Notes
Thermal pads	KK071CUT	Packing qty. 50 pcs, suitable for 1-phase SSRs
Thermal pads	RZHT	Packing qty. 10 pcs, suitable for 3-phase SSR
Thermal compound	HTS02S	2ml syringe of silicone based thermal compound
Screw Kits	SRWKITM5X10MM	Packing qty. 20 pcs.
Fans	RHSF60-24, RHSF60-230	24 VDC, 240 VAC, 60x60mm

Further reading

Information	Where to find it
Online heatsink selector tool	http://www.productselection.net/heatsink/heatsinkSelector.php?LANG=UK
Accessories	http://www.productselection.net/Pdf/UK/SSR_Accessories.pdf

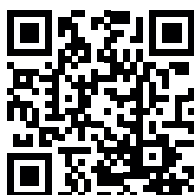
Order code



RHS112AF60-

Enter the code entering the corresponding option instead of

Code	Option	Description
R	-	
H	-	
S	-	
1	-	
1	-	
2	-	
A	-	
F	-	
6	-	
0	-	
-	-	
<input type="checkbox"/>	24	For 24VDC fan
	230	For 240VAC fan



COPYRIGHT ©2016
Content subject to change. Download the PDF: www.productselection.net